



GLOBAL

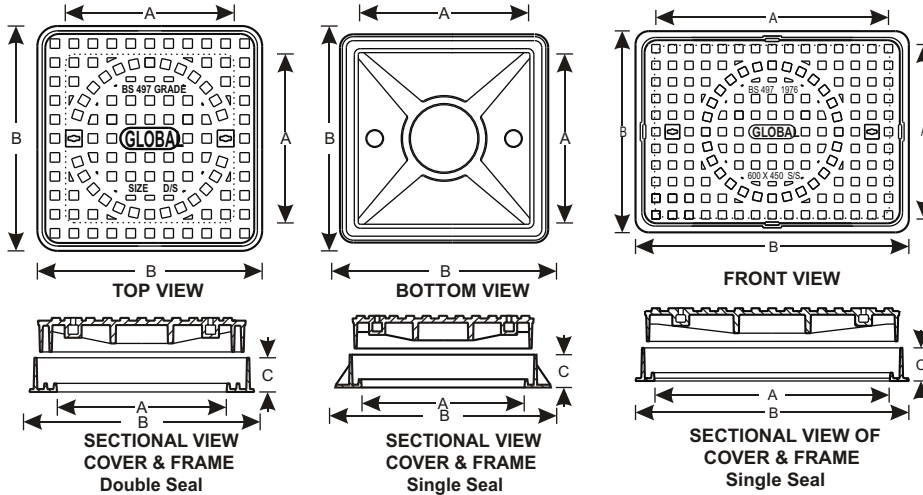
PRODUCTS SUPPLY COMPANY

Paramount Quality since 1999

Cast Iron MANHOLE COVER & FRAME as per BS 497/1976

Single Seal, Double Seal Square & Rectangular Solid Top Cover - Light, Medium & Heavy Duty

Test Load : 10KN, 150KN & 350KN - Block dia. 300mm.



GLOBAL brand solid top Manhole Cover & Frame

TOLERANCE* dimension +3 mm.
weight +5%

Cast No.	B.S. Ref.	Clear opening of Frame (mm.) A x A	Over base of Frame (mm.) B x B	Height (mm.) C	Weight each (Kgs.)	Solid top COVER & FRAME
001	-	250 X 250	300 X 300	18	4 Kgs	Single Seal Square Cover & Frame
002	-	300 X 300	340 X 340	15	5 Kgs	Single Seal Square Cover & Frame
003	-	300 X 300	350 X 350	25	7 Kgs	Single Seal Square Cover & Frame
004	-	300 X 300	395 X 395	42	13 Kgs	Single Seal Square Cover & Frame
005	-	300 X 300	370 X 370	40	15 Kgs	Double Seal Square Cover & Frame
006	-	300 X 300	400 X 400	42	16 Kgs	Single Seal Square Cover & Frame
007	-	300 X 300	430 X 430	40	17 Kgs	Double Seal Square Cover & Frame
008	MC1 45/45	450 X 450	530 X 530	42	25 Kgs	Single Seal Square Cover & Frame L/D Gr. C
009	MC1 45/45	450 X 450	530 X 530	42	28 Kgs	Single Seal Square Cover & Frame L/D Gr. C
010	MC2 45/45	450 X 450	570 X 570	45	38 Kgs	Double Seal Square Cover & Frame L/D Gr. C
011	MC2 45/45	450 X 450	570 X 570	45	50 Kgs	Double Seal Square Cover & Frame L/D Gr. C
012	MC1 45/45	450 X 450	530 X 530	75	55 Kgs	Single Seal Square Cover & Frame M/D Gr. B
013	MC1 45/45	450 X 450	570 X 570	75	65 Kgs	Single Seal Square Cover & Frame M/D Gr. B
014	MB2 45/45	450 X 450	600 X 600	75	80 Kgs	Double Seal Square Cover & Frame M/D Gr. B
015	MC1 60/60	600 X 600	690 X 690	42	34 Kgs	Single Seal Square Cover & Frame L/D Gr. C
016	MC2 60/60	600 X 600	750 X 750	42	45 Kgs	Double Seal Square Cover & Frame L/D Gr. C
017	MC2 60/60	600 X 600	750 X 750	42	50 Kgs	Double Seal Square Cover & Frame L/D Gr. C
018	MC2 60/60	600 X 600	750 X 750	45	55 Kgs	Double Seal Square Cover & Frame L/D Gr. C
019	MC2 60/60	600 X 600	760 X 760	50	60 Kgs	Double Seal Square Cover & Frame L/D Gr. C
020	MC2 60/60	600 X 600	760 X 760	50	75 Kgs	Double Seal Square Cover & Frame L/D Gr. C
021	MC2 60/60	600 X 600	760 X 760	75	80 Kgs	Double Seal Square Cover & Frame L/D Gr. C
022	MC2 60/60	600 X 600	760 X 760	75	85 Kgs	Double Seal Square Cover & Frame L/D Gr. C
023	MC2 60/60	600 X 600	760 X 760	75	95 Kgs	Double Seal Square Cover & Frame L/D Gr. C
024	MB2 60/60	600 X 600	760 X 760	75	110 Kgs	Double Seal Square Cover & Frame M/D Gr. B
025	MB2 60/60	600 X 600	760 X 760	75	115 Kgs	Double Seal Square Cover & Frame M/D Gr. B
026	MB2 60/60	600 X 600	780 X 780	80	150 Kgs	Double Seal Square Cover & Frame M/D Gr. B
027	A2	600 X 600	750 X 750	100	210 Kgs	Double Seal Square Cover & Frame H/D Gr. A
028	A	600 X 600	800 X 800	125	250 Kgs	Double Seal Square Cover & Frame H/D Gr. A
029	-	800 X 800	950 X 950	45	100 Kgs	Double Seal Square Cover & Frame L/D Gr. C
030	MC1 60/45	600 X 450	700 X 550	42	32 Kgs	Single Seal Rectangular Cover & Frame L/D Gr. C
031	MC2 60/45	600 X 450	710 X 560	42	50 Kgs	Double Seal Rectangular Cover & Frame L/D Gr. C
032	MC1 90/45	900 X 450	1000 X 550	65	75 Kgs	Single Seal Rectangular Cover & Frame L/D Gr. C
033	MC1 90/60	900 X 600	1000 X 700	65	85 Kgs	Single Seal Rectangular Cover & Frame L/D Gr. C

Unit 18 Swapnalok Complex, Wardhaman Nagar, Nagpur 44008 INDIA

Phone: 91 712 2778045 Mobile: 91 7598396706 WhatsApp: 91 9422039618

e-mail: gpsco@globalproductssupplycompany.com web: www.globalproductssupplycompany.com



GLOBAL

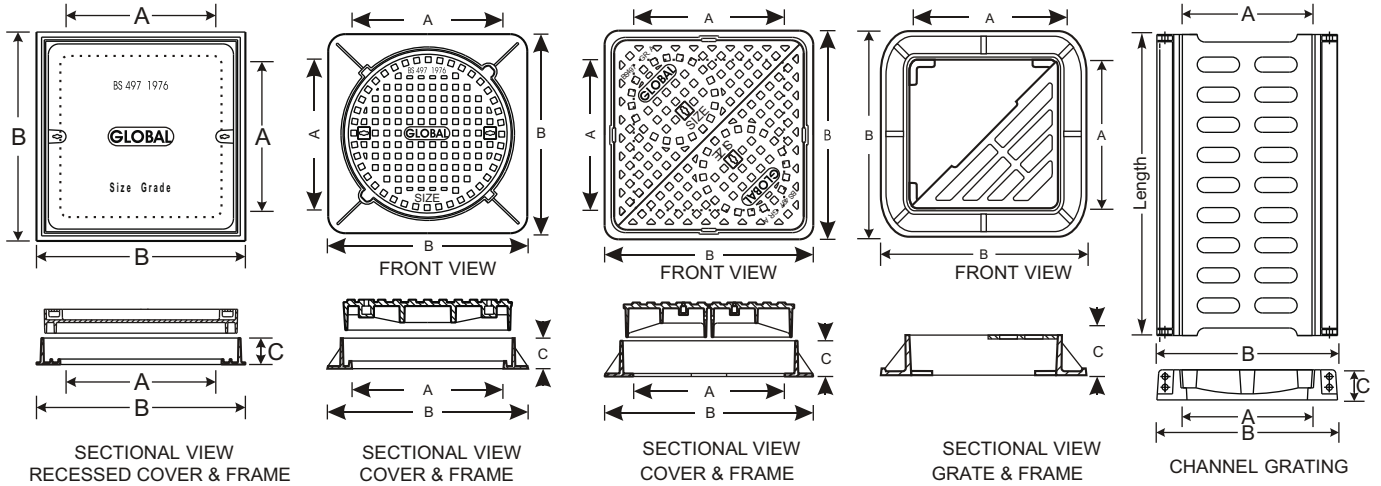
PRODUCTS SUPPLY COMPANY

Paramount Quality since 1999

Cast Iron MANHOLE COVER & FRAME, GRATING, CHANNEL as per BS 497/1976

Recessed, Round, Double Triangular Cover, Grating & Channel

Test Load : 10KN, 150KN & 350KN - Block dia. 300mm.



SECTIONAL VIEW
RECESSED COVER & FRAME

SECTIONAL VIEW
COVER & FRAME

SECTIONAL VIEW
COVER & FRAME

SECTIONAL VIEW
GRATE & FRAME

CHANNEL GRATING



Cast No.	B.S. Ref.	Clear Opening of frame (mm.) A x A	Over Base of frame (mm.) B x B	Height (mm.) C	Weight each (Kgs.)	Recessed, Round & Double Triangular Cover Gully Grating & Channel Grating with frame
034	MC2R 30/30	300 X 300	400 X 400	75	30 Kgs	Recessed Manhole Cover & Frame Double Seal L/D Gr. C
035	MC2R 30/30	300 X 300	420 X 420	100	35 Kgs	Recessed Manhole Cover & Frame Double Seal L/D Gr. C
036	MC2R 60/60	600 X 600	775 X 775	65	70 Kgs	Recessed Manhole Cover & Frame Double Seal L/D Gr. C
037	MC2R 60/60	600 X 600	775 X 775	105	85 Kgs	Recessed Manhole Cover & Frame Double Seal L/D Gr. C
038	MA - 60	600 Ø	780 X 780	100	150 Kgs	Round Cover & Square Frame H/D Gr. A
039	MA - 60	600 Ø	785 X 785	100	175 Kgs	Round Cover & Square Frame H/D Gr. A
040	MA - 60	600 Ø	800 X 800	100	190 Kgs	Round Cover & Square Frame H/D Gr. A
041	-	600 Ø	825 X 825	125	210 Kgs	Round Cover & Square Frame H/D Gr. A
042	-	600 Ø	830 X 830	150	250 Kgs	Round Cover & Square Frame H/D Gr. A
043	-	750 Ø	925 X 925	175	225 Kgs	Round Cover & Square Frame H/D Gr. A
044	-	750 Ø	950 X 950	175	260 Kgs	Round Cover & Square Frame H/D Gr. A
045	-	800 Ø	950 X 950	180	250 Kgs	Round Cover & Square Frame H/D Gr. A
046	-	800 Ø	1000 X 1000	180	300 Kgs	Round Cover & Square Frame H/D Gr. A
047	MB1 60	600 X 600	750 X 750	100	145 Kgs	Double Triangular Covers with Square Frame H/D Gr. A
048	MA 60	600 X 600	750 X 750	100	180 Kgs	Double Triangular Covers with Square Frame H/D Gr. A
049	MA 60	600 X 600	750 X 750	150	200 Kgs	Double Triangular Covers with Square Frame H/D Gr. A
050	GA1 450	450 X 450	600 X 600	100	90 Kgs	Double Triangular Gully Gratings & Frame H/D Gr. A
051	GA1 450	475 X 475	625 X 550	100	95 Kgs	Double Triangular Gully Gratings & Frame H/D Gr. A
052	-	600 X 600	750 X 750	100	180 Kgs	Double Triangular Gully Gratings & Frame H/D Gr. A

Unit 18 Swapnalok Complex, Wardhaman Nagar, Nagpur 44008 INDIA

Phone: 91 712 2778045 Mobile: 91 7598396706 WhatsApp: 91 9422039618

e-mail: gpsco@globalproductssupplycompany.com web: www.globalproductssupplycompany.com