



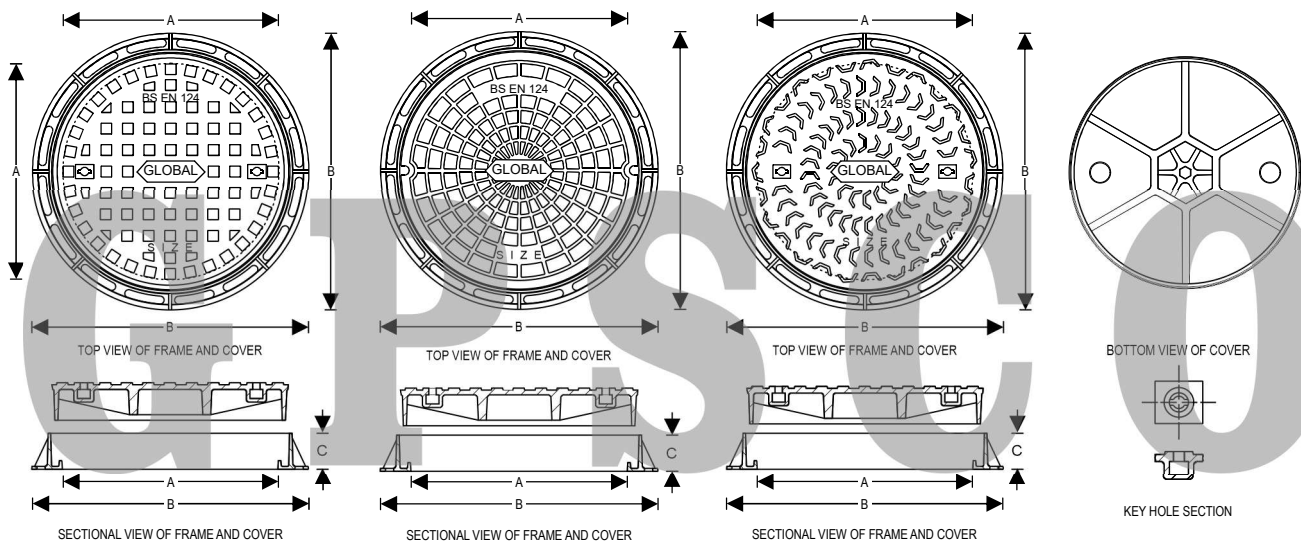
GLOBAL

Products Supply Company

Paramount Quality since 1999

Ductile Iron solid top Round Manhole Cover with Round Frame

BS EN124 Class B125, C250, D400 and E600



| Cast No. | BS EN124 Loading Class | Clear opening of Frame (mm.) A x A | Over Base of Frame (mm.) B x B | Height (mm.) C | Weight each (Kgs.) | Product Description |
|----------|------------------------|---------------------------------------|-----------------------------------|-------------------|--------------------|------------------------------|
| DCC151 | B125 | 300 dia. | 400 dia | 20 | 15 | Round Cover with Round Frame |
| DCC152 | B125 | 400 dia. | 550 dia | 20 | 20 | Round Cover with Round Frame |
| DCC153 | B125 | 450 dia. | 555 dia | 30 | 20 | Round Cover with Round Frame |
| DCC154 | B125 | 600 dia. | 680 dia | 40 | 35 | Round Cover with Round Frame |
| DCC155 | D400 | 600 dia. | 820 dia | 100 | 55 | Round Cover with Round Frame |
| DCC156 | D400 | 600 dia. | 850 dia | 100 | 60 | Round Cover with Round Frame |

Unit 18 Swapnalok Complex, Wardhaman Nagar, Nagpur 440008 INDIA
 Phone: 91 7122778045 Mobile: 91 7598396706 WhatsApp: 91 9422039618
 e-mail: gpsco@globalproductssupplycompany.com Web: www.globalproductssupplycompany.com